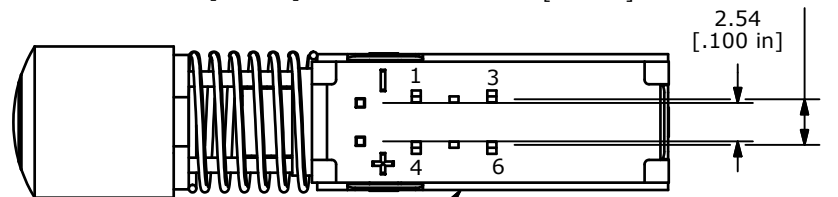
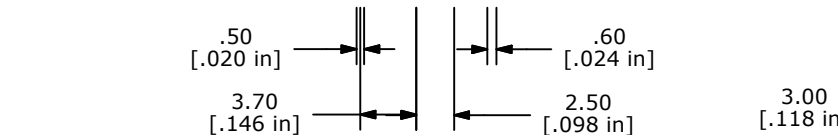
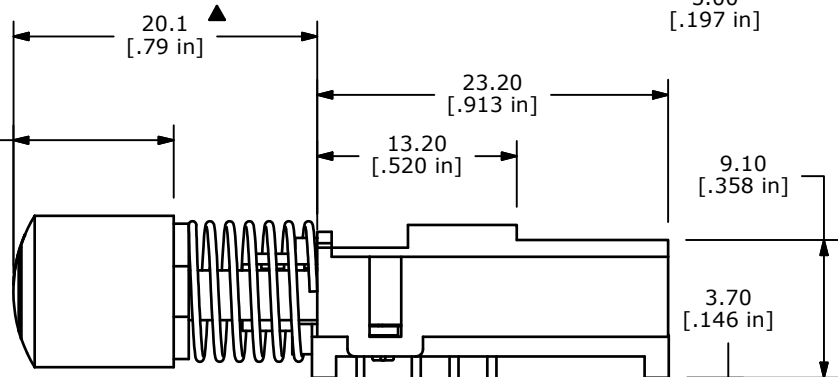
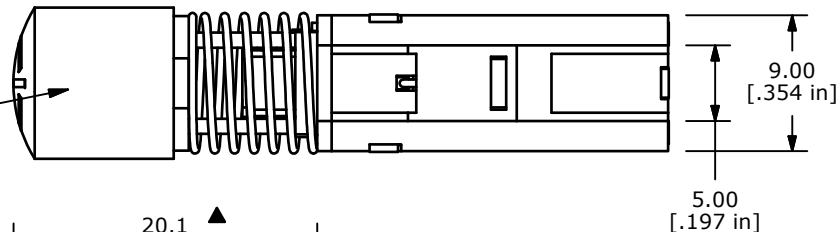
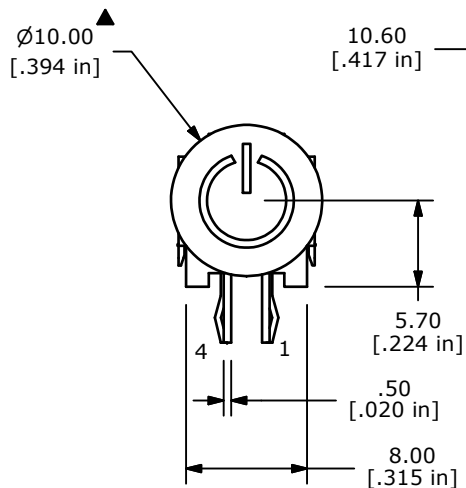
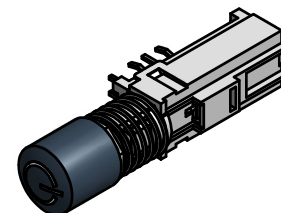


▲ R05 BUTTON  
BLACK, POWER SYMBOL  
(B410002)



▲ WBL2UOAGYQ  
(B400016)



- NOTES:
1. ALL DIMENSIONS IN MM [INCH]
  2. GENERAL TOLERANCE: x.x=±0.4mm  
x.xx=±0.25mm
  3. RATING: DC 30V, 0.3A
  - ▲ 4. OPERATING FORCE: 200±100gf
  - ▲ 5. TRAVEL: 3.3mm FULL TRAVEL
  6. LIFE CYCLES: 10,000 CYCLES
  7. OPERATING TEMPERATURE: -20°C TO 70°C
  8. CONTACT RESISTANCE: 20mΩ MAX.
  9. INSULATION RESISTANCE: 100MΩ MIN@ 500VDC.
  - ▲ 10. LED COLOR: GREEN-YELLOW BI-COLOR
  11. ▲ DENOTES CRITICAL PARAMETER.
  12. 2002/95/EC (RoHS) COMPLIANT.

LED SPECS	UNITS	GREEN	YELLOW
FORWARD CURRENT	mA	20	20
FORWARD VOLTAGE @20mA	V	2.1 Typ-2.5 Max	2.0 Typ - 2.5 Max
LUMINOUS INTENSITY @ 20mA	MCD	70 Typ	150 Typ



TITLE WBL2UOAGYQR05BLKPWR

A	21777	Release For Production	1/30/15	rc
REV	PCR NO	DESCRIPTION	DATE	BY

SCALE	DATE	DR	DWG	REV
2	1/30/2015	rc	XB0946P	A

THE INFORMATION CONTAINED IN THIS DOCUMENT IS PROPRIETARY TO E-SWITCH AND IS NOT TO BE COPIED OR TRANSFERRED